

*ZED Link Mono Capture Card

GMSL2

Deserializer board

Compatible with NVIDIA Orin™ NX and NANO,
Xavier™ NX and NANO Developer Kit

Supports 1 ZED X/ ZED-X Mini camera or 1
ZED X One camera

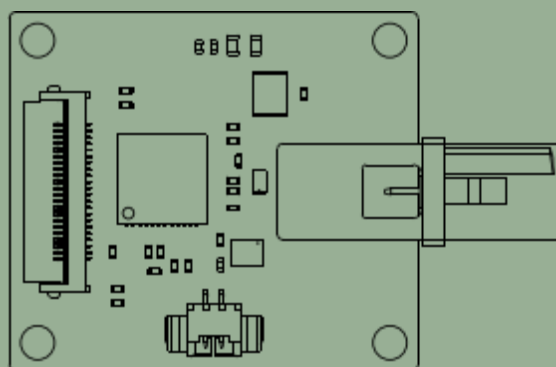
Requires external 5V to 19V DC power supply
Support Power over cable (12V out)

Supports External Trigger / HW Sync through
MFP0 (Out) and MFP1 (In) (J4 Header)

Deserializer: Maxim MAX9296A

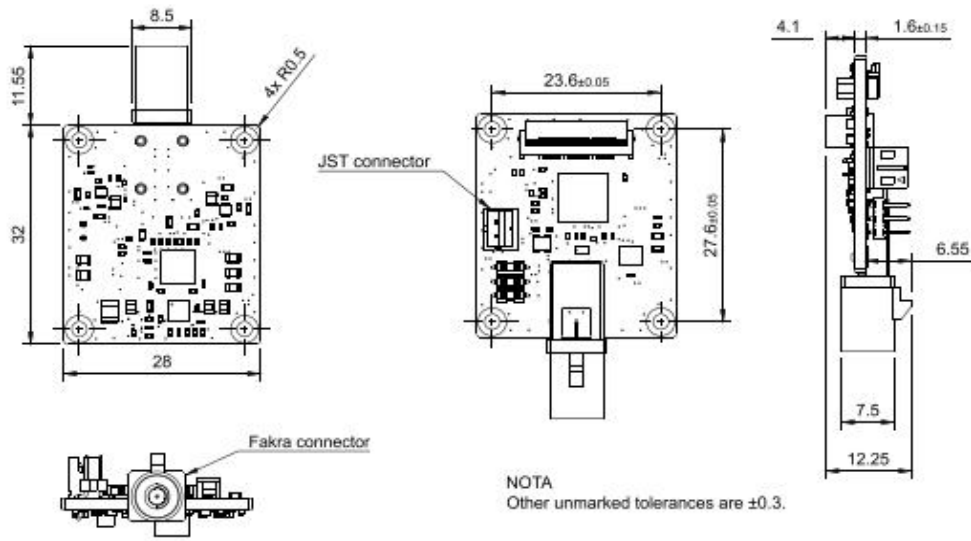
Operating temperature: -20°C ~ +85°C

Weight: ~ 8 g

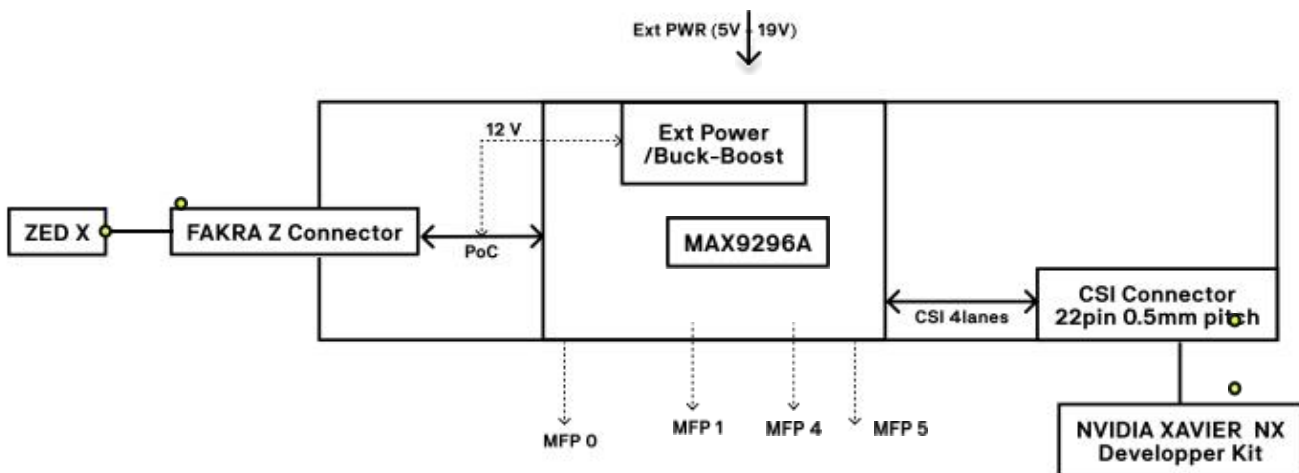


*ZED Link Mono Capture Card Technical Specifications

Dimensions



Functional diagram

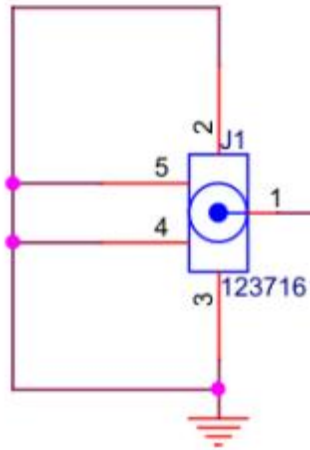


*ZED Link Mono Capture Card Interfaces

Interface J1 (Fakra)

part number 59s2AQ-40MT5-z_

1 GMSL2 I/O



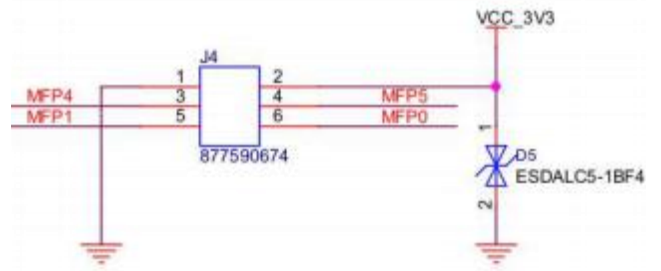
Interface J4 (GPIO Header)

Part number Molex 877590674

6 pins 2mm pitch

MFPO is used as Fsync output (master mode)

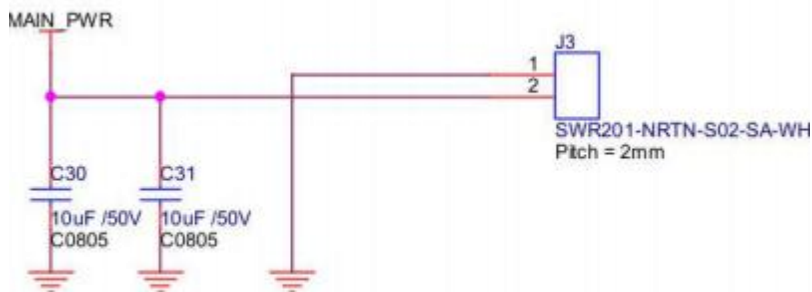
MFP1 can be used as Fsync Input (slave mode)



Interface J1 (External 5v-19v)

Part number SWR201-NRTN-S02-SA-WH or B2B-PH-K-S

pitch 2mm



*ZED Link Mono Capture Card Interfaces

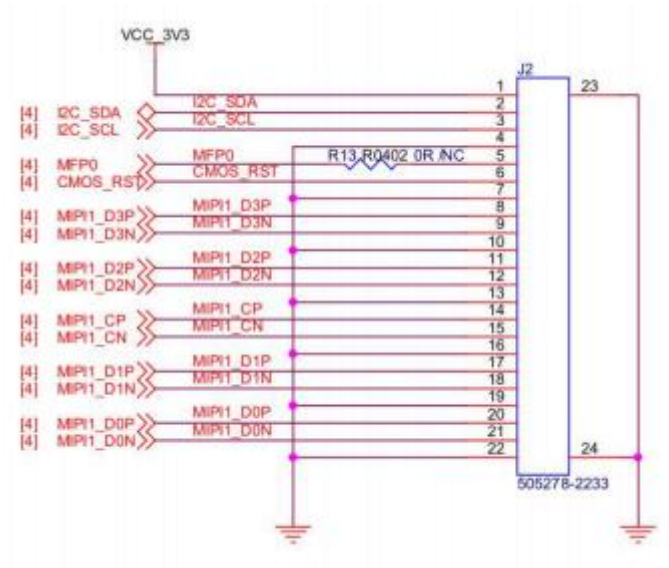
Interface J2 (MIPIcsI22pins)

Part number Molex 505278-2233

22pins 0.5mm pitch

use a 15pins 1mm pitch to 22pins 0.5mm pitch cable for Jetson xavier N or Nano dev kit

use a cables 22pins 0.5mm pitch to 22pins 0.5mm pitch opposite for in NX/Nano dev kit



Revision History

Revision	Description	Release date
1.0	First release	03/21/2023