

*ZED Link Quad Capture Card

GMSL2

Deserializer board

Compatible with NVIDIA Jetson AGX Orin™,
AGX Xavier™ Developer Kit

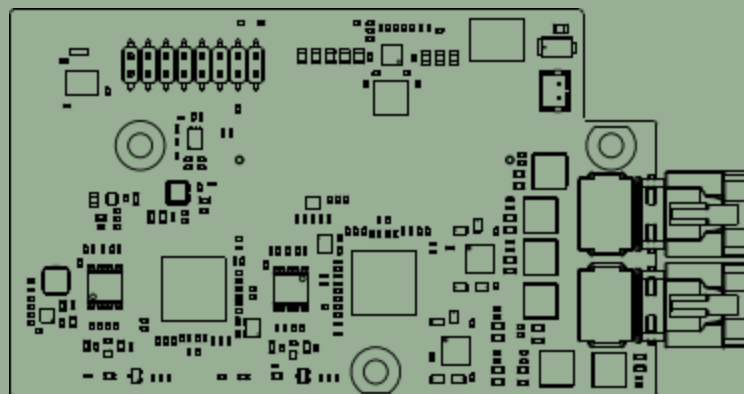
Supports up to 4 ZED X/ ZED-X Mini cameras
and 4 ZED X One mono cameras

Requires external 9V to 19V power supply

Deserializer: 2 x Maxim MAX96712

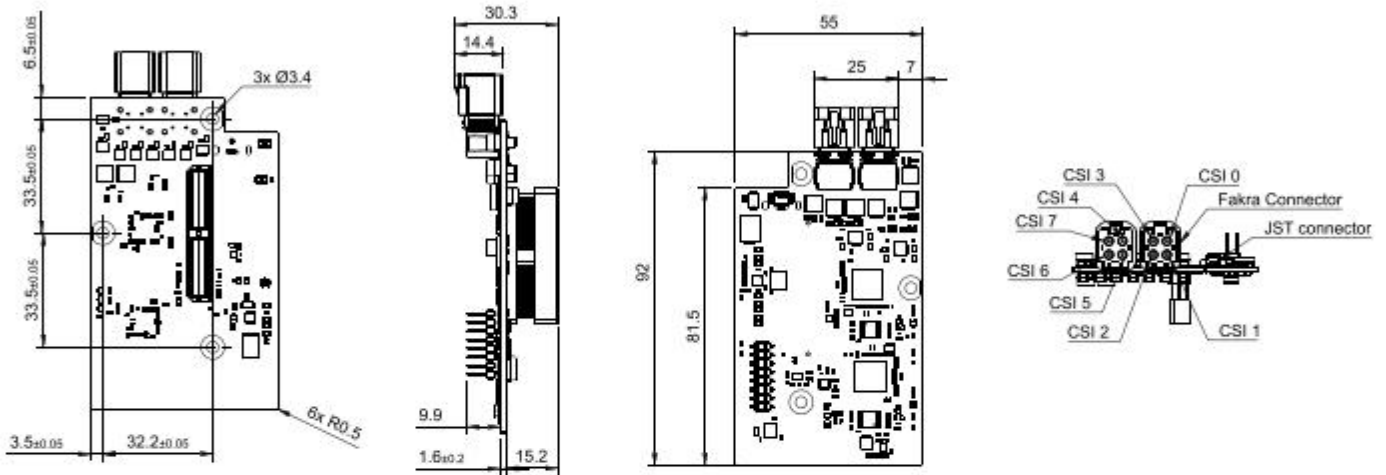
Operating temperature: -20°C ~ +75°C

Weight: ~ 55 g



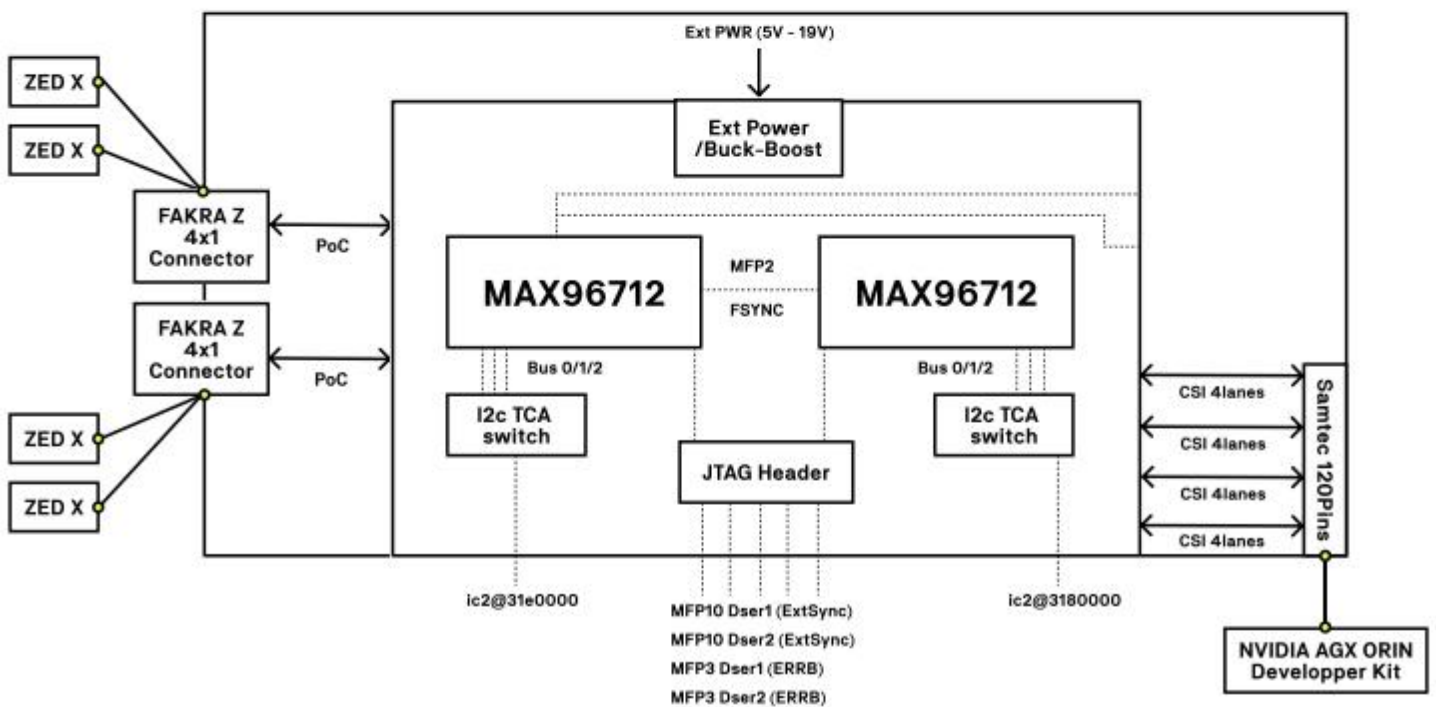
*ZED Link Quad Capture Card Technical Specifications

Dimensions



NOTA
Other unmarked tolerances are ±0.3mm

Functional diagram

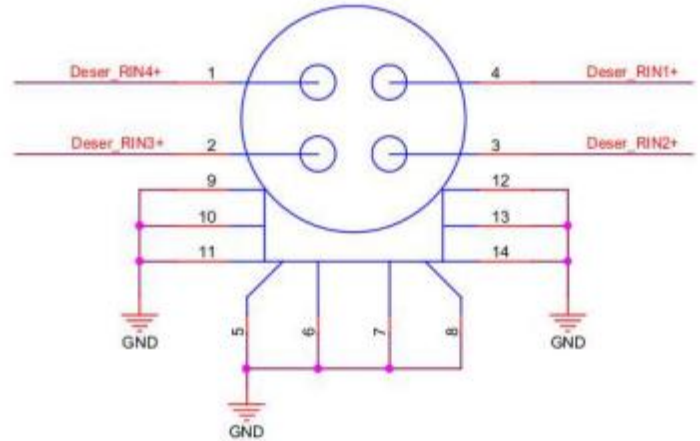


*ZED Link Quad Capture Card Interfaces

Interface J1&J2(Fakra4x1)

Part number TE 1-2304168-9

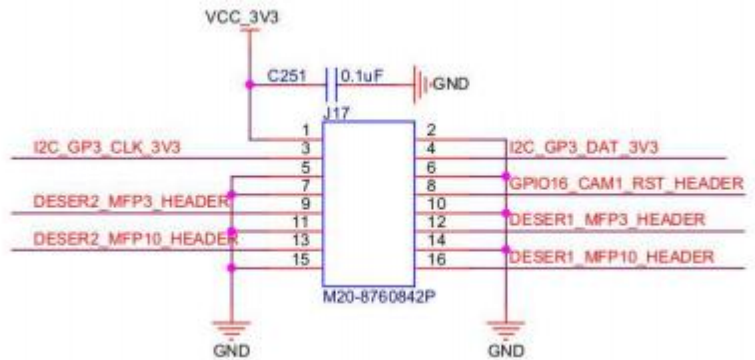
2X4GMSL2 I/O



Interface J4(GPIOHeader)

Part number Harwin M20-8760842P

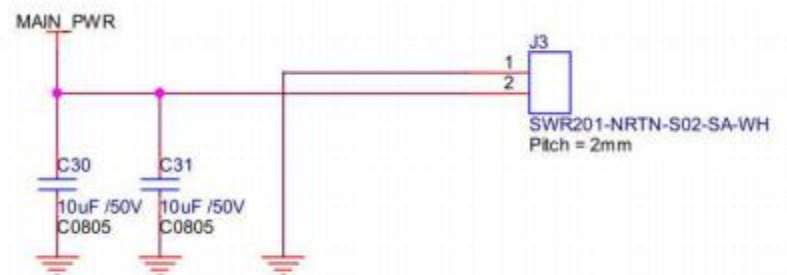
16pins 2.54mmpitch



Interface J1External(5v-19v)

Part number SWR201-NRTN-S02-SA-WH or B2B-PH-K-S

Pitch 2 mm



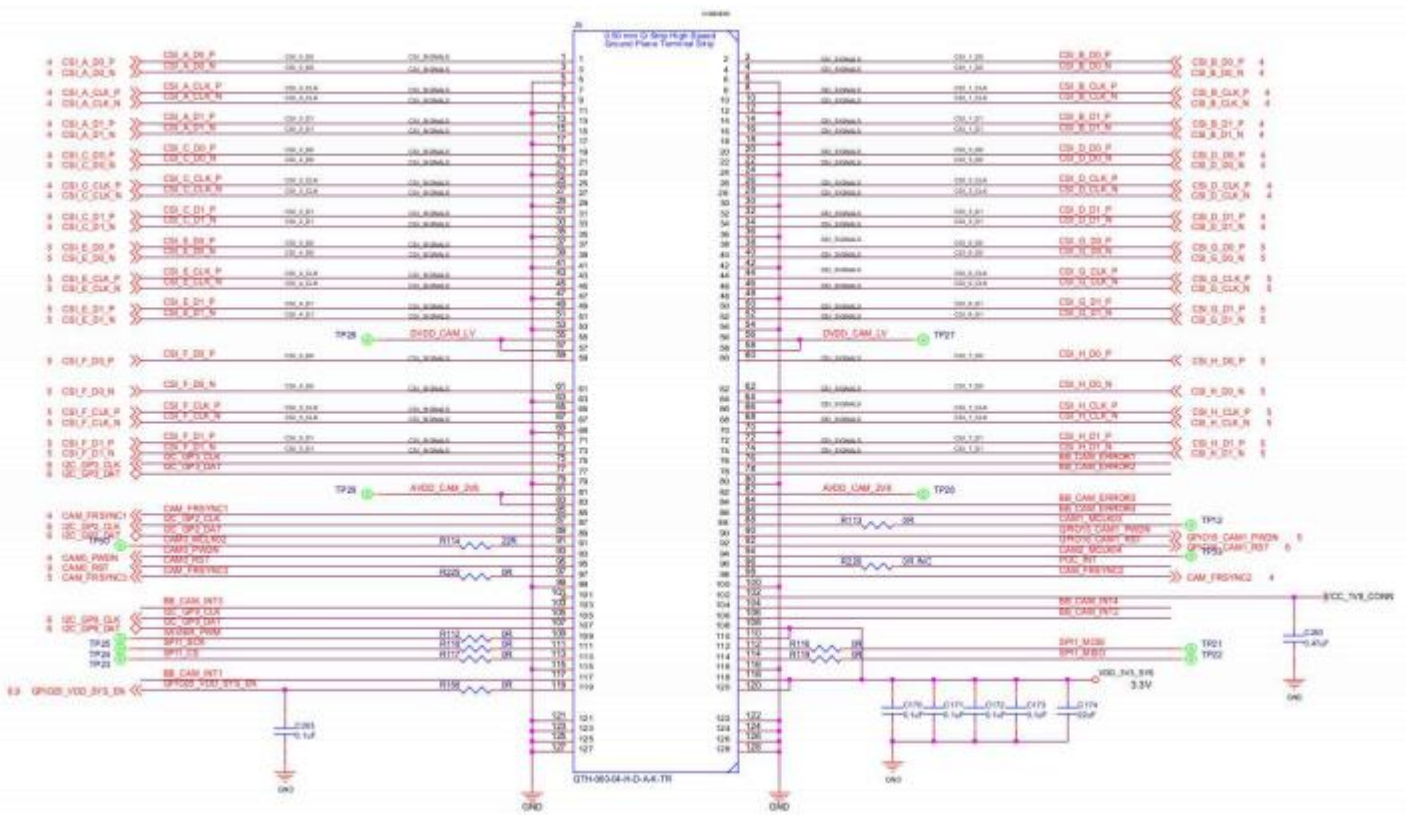
*ZED Link Quad Capture Card Interfaces

InterfaceJ5(samtectoAGX)

partnumbersamtecQTH-060-04-H-D-A-k-TR

canbeusedwithorinAGxandxavierAGXDeveloperkits

16mm board to board distance



InterfaceJ501(samtec toAGX)

Revision	Description	Releasedate
1.0	First release	03/21/2023